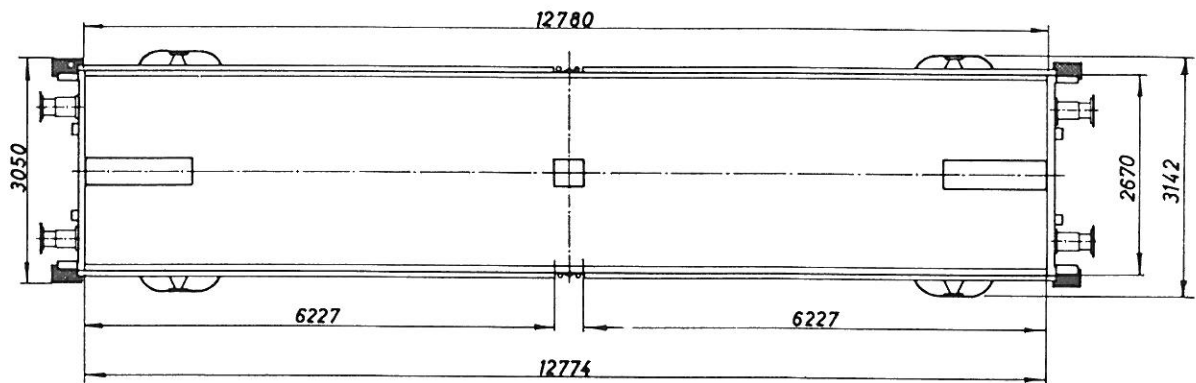
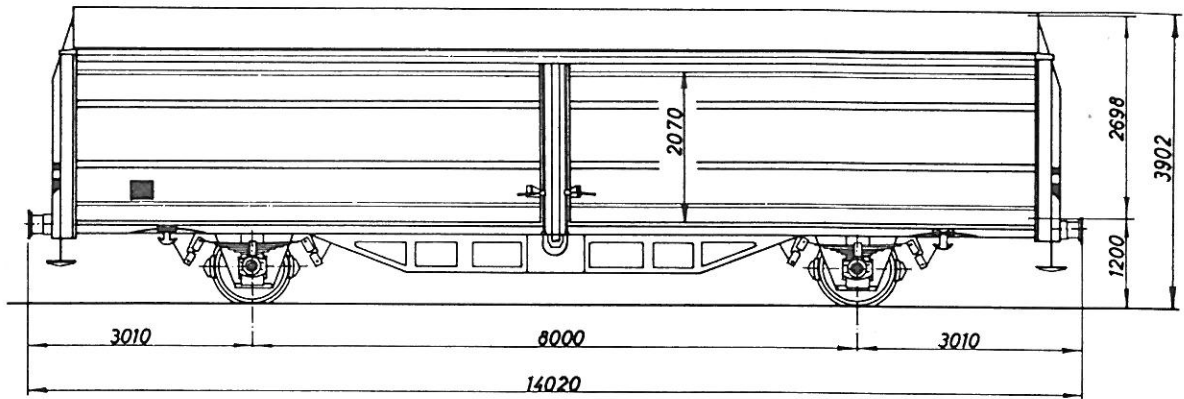


Hbis 211 5 330 - 211 5 529  
RIV



1975 Scandia

	A	B	C
	18,0t	22,0t	26,0t
S	18,0t	22,0t	26,0t

DSB	C
100 km/h	27,0t

Tara: ca 13,9 t  
Bundflade: 33,0 m<sup>2</sup>  
Rumindhold: 85,0 m<sup>3</sup>  
Maks hast: 100 km/h